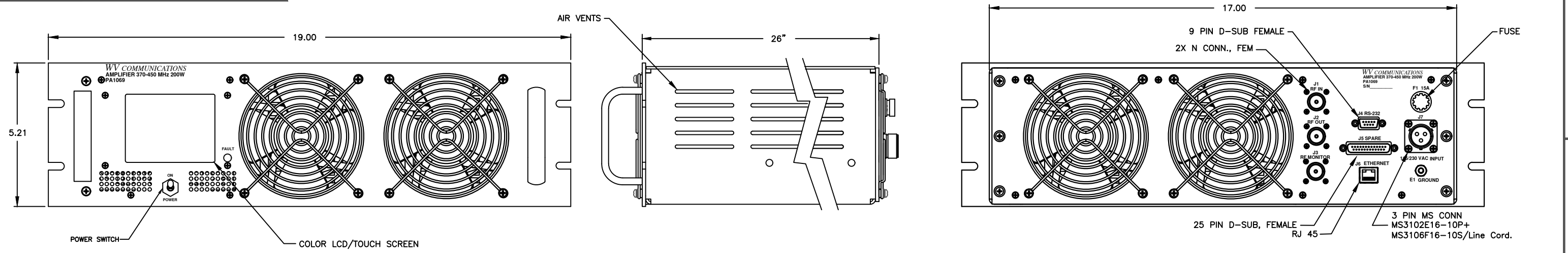


\*\* PROPRIETARY DATA \*\*

THIS DOCUMENT CONTAINS DATA WHICH IS PROPRIETARY OR CONFIDENTIAL TO WV COMM (WV COMMUNICATIONS INCORPORATED). THIS DOCUMENT AND THE DATA CONTAINED HEREIN SHALL NOT BE USED, DUPLICATED, OR ALTERED WITHOUT THE EXPRESSED WRITTEN CONSENT OF WV COMM. ALL RIGHTS ARE RESERVED.

REVISIONS				
ZONE	REV	DESCRIPTION	DATE	APPROVED
	A	RELEASED	05/16/12	JMO



Pin #	J4, RS232C Pin Designation
1	NC
2	RX
3	TX
4	NC
5	GND
6	NC
7	NC
8	NC
9	BLANKING IN

Pin #	J6, Ethernet Pin Designation
1	TX+
2	TX-
3	RX+
4	NC
5	NC
6	RX-
7	NC
8	NC
9	NC

Pin #	J3, AC IN Pin Designation
A	Line
B	Neutral
C	GND

**OPERATING FREQUENCY RANGES:** 370-450MHz  
**RF OUTPUT POWER:** 200W (+53dBm) Minimum @ P1dB Compression Pt  
**GAIN:** 54dB Minimum @ P1dB Compression Pt  
**RF INPUT POWER RANGE:** -5 to +3dBm (0dBm Nominal)  
**RF INPUT POWER W/O DAMAGE:** +10dBm Maximum  
**SMALL SIGNAL GAIN FLATNESS:** ±1dB Maximum into 1.25:1 VSWR  
**RF OUTPUT PROTECTION:** Integral Output Isolator protected, No Oscillation or damage at any Load Phase angle or Impedance  
**RF OUTPUT ATTENUATION RANGE:** 23dB Minimum  
**RF OUTPUT BLANKING:** 40dB Minimum On/Off Ratio  
**RF OUTPUT MONITOR PORT LEVEL:** 40dBc Nominal  
**BLANKING ACTIVATION:** Remove short between J4 Pins 5 & 9 - RF OFF  
**UN BLANKING ACTIVATION:** Apply short between J4 Pins 5&9 - RF ON  
**INPUT AND OUTPUT IMPEDANCE:** 50Ω Nominal  
**INPUT VSWR:** 2.0:1 Maximum (Ref 50Ω)  
**HARMONIC SIGNAL LEVELS:** 60dBc Minimum over 1100-2750MHz Integral Low Pass Filter  
**SPURIOUS SIGNAL LEVELS:** 60dBc Minimum  
**LOCAL CONTROL:** Via Color Touchscreen LCD Display  
**REMOTE CONTROL:** Via RS-232C at 9.6-115KB,N,8,1 and Ethernet UDP/IP (Both)  
**OPERATION MODES:** Linear (VVA), Auto Level Control (ALC)  
**STANDARD FEATURES:** Carrier STANDBY/ONLINE  
 Units in dB or Watts  
 Fault Indications  
 User settable VSWR Fault point  
 Operating 0 to +50°C  
**TEMPERATURE RANGES:** Forced air via integral Front Panel Intake and Rear Panel Exhaust Fans  
**COOLING REQUIRED:** Thermostat Shut-Off Indication at +85°C Drawer Heatsink Temperature  
**OVERTEMPERATURE PROTECTION:** 115/230 VAC at 600W Maximum Single Phase 47-63Hz  
**AC INPUT POWER:** 115/230 VAC at 600W Maximum Single Phase 47-63Hz  
**FRONT PANEL COLOR:** Gray 26307 per MIL-STD-595

UNLESS OTHERWISE SPECIFIED: DIMENSIONS ARE IN INCHES. TOLERANCES ARE:  
 FRACTIONS DECIMALS ANGLES HOLES  
 ± 1/64 .XX±.01 ±0°30' .XX±.005  
 .XXX±.005 .XXX ±.001  
 MACHINED FINISH: 32 RMS  
 REMOVE BURRS .005 MAX

APPROVALS		DATE	1125 Business Center Cir Newbury Park, CA			
DRAWN	TONY T.	05/16/12	<b>AMPLIFIER</b> <b>370-450 MHz 200W</b> <b>PA1069</b>			
CHECKED	T.T.	05/16/12				
MECH ENGR	T.T.	05/16/12				
ELEC ENGR	U.Y.	05/16/12				
PRODUCTION	A.M.	05/16/12				
Q.A.	D.B.	05/16/12	SIZE B	CAGE CODE 1GFQ7	DWG. NO. 050-50896	REV A
APPLICATION		DO NOT SCALE DRAWING	SCALE NONE	SHEET 1 OF 1		

900-50353	PA1069
NEXT ASSEMBLY	USED ON